

Pressure Gauge IPE - IPM

VERSATILE
ECONOMIC



Available from:
FILQUIP Pty Limited

5/126 Compton Rd, Underwood,
Qld 4119 Australia
Ph: +61 7 3208 3499 Fx: +61 7 3208 3449
Email: sales@filquip.com.au
www.filquip.com.au



THE IPE / IPM PRESSURE GAUGES OFFER A RELIABLE AND ECONOMICAL SOLUTION TO PRESSURE CONTROL FOR PREVENTING OVER-FILLING AND OVER-PRESSURIZING A SILO

IPE (electronic pressure gauge): indicates the pressure inside the silo through an electrical signal output. Signal range may be chosen as 0-20mA or 4-20 mA.

IPM (mechanical pressure gauge): indicates if the pressure level is lower or higher than the pressure limit the gauge is rated for.

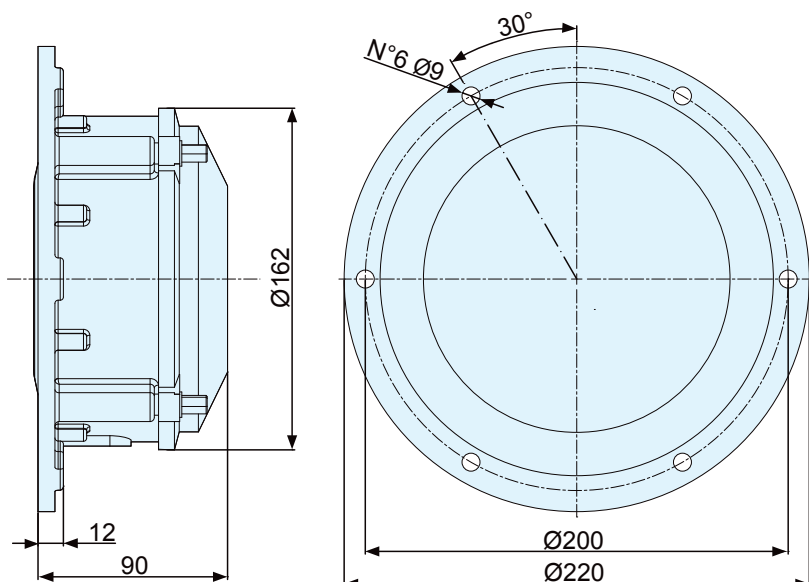
During the filling procedure and during the purging of the tanker, the IPE silo pressure gauge gives in real time, the pressure value inside the silo, while the IPM silo pressure gauge supervises the overpressure rising inside the silo.

Features

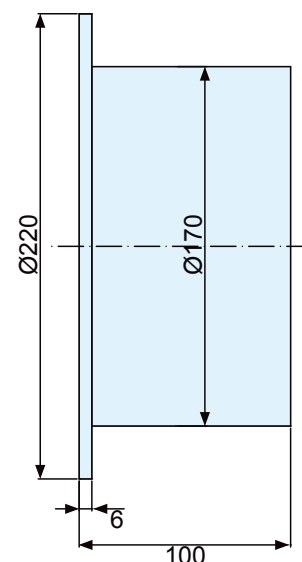
MODEL	IPM	IPE
Protection level	IP55	
Operating temperature	-25° - +80°C	-20° - +60°C
Electric cable	2x1.5 mm ² shielded	
Max. Microswitch Voltage and current	250 V – 5A	
Supply Voltage		14-25 VDC
Power		2W

Overall Dimensions

IPE/M



IPX



Dimensions in mm

Benefits

- ✓ Self-cleaning wear and temperature resistant membrane EPDM;
- ✓ Self-cleaning wear and temperature resistant membrane for foodstuffs;
- ✓ Aluminium alloy body;
- ✓ Equipped with circuit board (IPE) or Contact Switch (IPM).

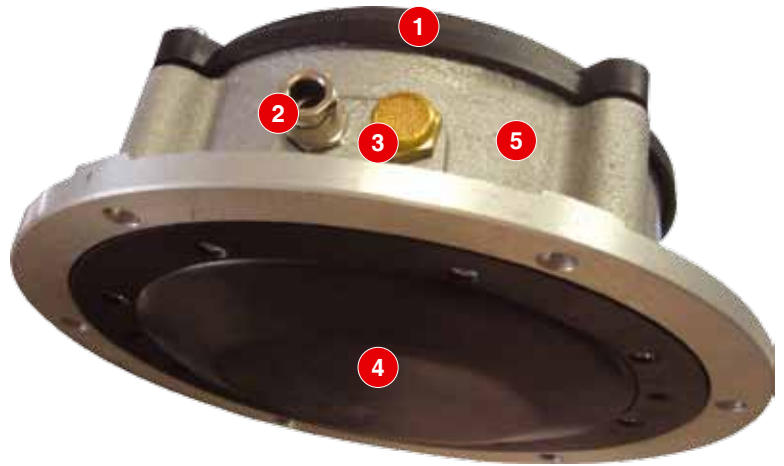
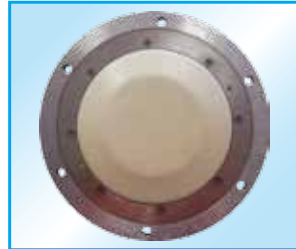
1 Cover

2 Cable Gland

3 Air vents filter (IPM only)

4 Membrane
EPDM

Food Grade Rubber



5 Housing
IPE



Electronic Card

IPM



Microswitch

IPE		
Code	Output Signal (mA)	Membrane Material
IPE1	0 – 20	EPDM
IPEA1		Food grade rubber
IPE5	4 – 20	EPDM
IPEA5		Food grade rubber

IPM		
Code	Rated Switch Pressure (bar)	Membrane Material
IPM2001	0.02	EPDM
IPM200A1		Food grade rubber
IPM3001	0.03	EPDM
IPM300A1		Food grade rubber
IPM4001	0.04	EPDM
IPM400A1		Food grade rubber

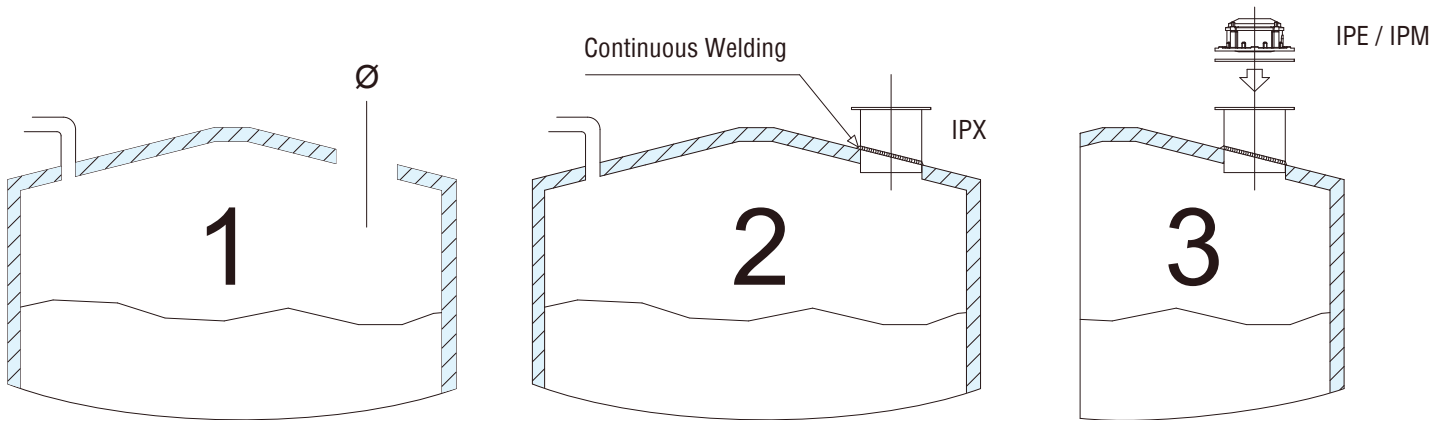
Accessories



Adaptor IPX

- Adaptor IPX made to be welded on the silo roof to fix the IPE/IPM;
- Made from Carbon Steel.

Application



Commonly installed on the roof of the silo or container, IPE and IPM are used to monitor the pressure level inside the silo or container.



06/002/350 January 2013 Rights reserved to modify technical specifications.



Available from:
FILQUIP Pty Limited

5/126 Compton Rd
Underwood Qld 4119
Australia
Phone: +61 7 3208 3499
Fax: +61 7 3208 3449
Email: sales@filquip.com.au
www.filquip.com.au



www.wamgroup.com