

# Waste Water Treatment

## Internally-fed Rotating Drum Screens RTV



### Description ▼

RTV Internally-fed Rotating Drum Screens are suitable for pre-treatment of both municipal and industrial waste water, as well as MBR plants.

RTV Drum Screens are made up of a tank and a spiral applied to the drum for conveying of screenings. The drum is manufactured from a perforated stainless steel sheet.

The filter is fed through a nozzle placed on the machine inlet. It is cleaned by means of a washing system made up of a tube equipped with pressurised water spray nozzles.

During operation, water is conveyed towards the outlet placed in front of the machine, while screenings are conveyed by the spiral to the outlet at the back of the screen.

A special 5-degree incline angle towards the outlet contributes to dewatering the screenings while they are conveyed.

The screen is equipped with by-pass nozzles which protect the filter from overflow.

### Application ▼



### Benefits ▼

- ✓ High solids capture efficiency;
- ✓ Appropriately placed flight segments constantly conveying solids towards discharge point;
- ✓ External spray bar and brush preventing solids accumulation on external screen surface;
- ✓ Pivots fully adjustable and replaceable without removing screen cylinder;
- ✓ Screen design without running seals;
- ✓ Low energy consumption and reduced maintenance;



[www.savi-water.com](http://www.savi-water.com)  
[www.wamgroup.com](http://www.wamgroup.com)

# Waste Water Treatment

## Internally-fed Rotating Drum Screens RTV



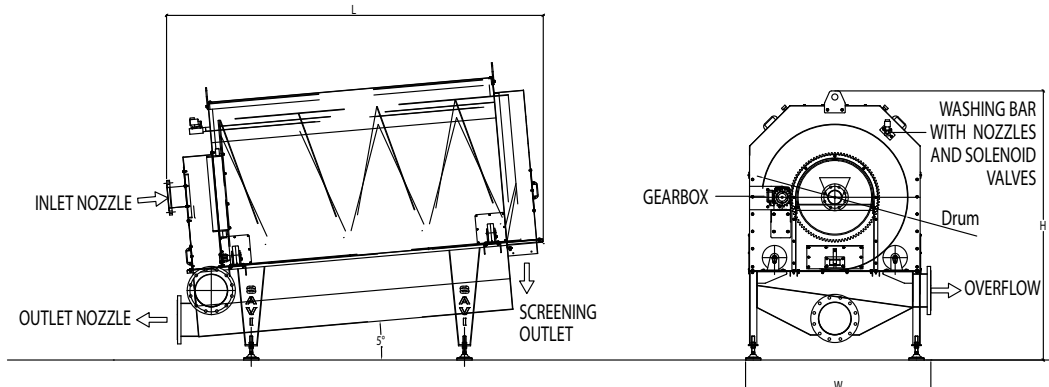
### Technical Features / Performance

- ▶ 6 different sizes available
- ▶ Standard perforated media spacing: 1 ~ 6mm
- ▶ Recommended spacing for MBR application: 1 ~ 3mm
- ▶ Full covering ensuring safe, dry, odour-free operation
- ▶ Screen manufactured from 304 L / 316 L SS
- ▶ Control panel (optional)

RTV - INTERNALLY FED ROTATING DRUM SCREEN - FLOW RATES

MODEL   FLOW RATE m <sup>3</sup> /h	1 mm	1.5 mm	2 mm	3 mm	5 mm	6 mm
RTV 500 x 1000	26	29	33	42	52	60
RTV 900 x 1000	40	55	75	105	150	170
RTV 900 x 2000	90	120	160	220	325	360
RTV 1200 x 2000	120	180	280	360		
RTV 1500 x 3000	390	430	485	600		
RTV 1500 x 4000	840	950	1,590	1,300		

### Overall Dimensions



RTV - INTERNALLY FED ROTATING DRUM SCREEN

MODEL	TOTAL WIDTH W mm	TOTAL LENGTH L mm	TOTAL HEIGHT H mm	INLET DN - PN 10	OUTLET DN - PN 10	OVERFLOW DN - PN 10	MOTOR POWER kW
RTV 500 x 1000	900	2,000	1,500	100	150	125	0.37
RTV 900 x 1000	1,200	2,100	2,000	100	200	150	0.37
RTV 900 x 2000	1,200	3,100	2,100	150	250	200	0.37
RTV 1200 x 2000	1,500	3,100	2,200	150	250	250	0.37
RTV 1500 x 3000	1,800	4,000	3,300	500	600	500	0.75
RTV 1500 x 4000	1,800	5,000	3,300	500	600	500	0.75

SAVI



Available from:  
**FILQUIP Pty Limited**

5/126 Compton Rd, Underwood,  
Qld 4119 Australia

Ph: +61 7 3208 3499 Fx: +61 7 3208 3449

Email: sales@filquip.com.au

www.filquip.com.au