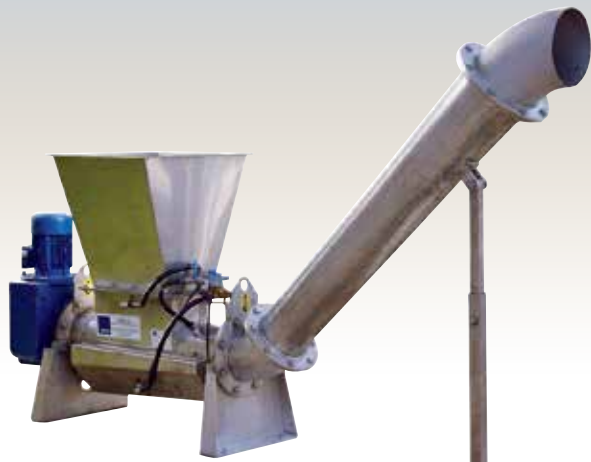


# Waste Water Treatment

## Shafted Washer Compactors VWP



### Description ▼

Shafted Washer Compactors VWP are mainly composed of a thick, directly driven, shafted steel spiral, which rotates inside the cylindrical compacting zone where the screenings to be compacted are conveyed.

Screenings fall into the compactor hopper where a rotating shafted spiral conveys solids to the compacting zone where they are dehydrated, and conveyed to the outlet. The compacting zone is equipped with spray nozzles that wash out the organic substances contained in the screenings. The liquid produced by compaction and washing is reintroduced into the purification process through the screening channel.

### Application ▼



### Benefits ▼

- ✓ High level of dehydration and pressing of screenings up to 65% of their volume;
- ✓ Screenings washing device;
- ✓ Odour abatement;
- ✓ Low running and maintenance;
- ✓ Small footprint.



[www.savi-water.com](http://www.savi-water.com)  
[www.wamgroup.com](http://www.wamgroup.com)

# Waste Water Treatment

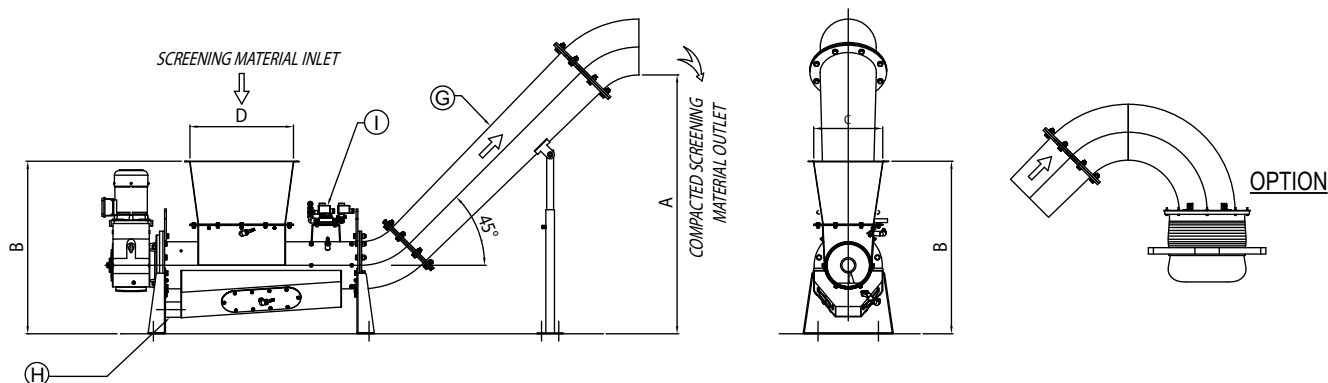
## Shafted Washer Compactors VWP



### Technical Features / Performance ▼

- ▶ 3 sizes available
- ▶ 1.5 up to 6 m<sup>3</sup>/h of screenings
- ▶ Washing system for removal of organic particles
- ▶ Shafted spiral
- ▶ Frame manufactured from 304 L / 316 L SS
- ▶ Spiral manufactured from special ST 52 steel, or 304 L / 316 L SS
- ▶ Inlet hopper available in different sizes (option)
- ▶ Compacting pipe available in different lengths and installation angles (option)
- ▶ Control panel (option)
- ▶ Bagger (option)

### Overall Dimensions ▼



Rights reserved to modify technical specifications.

DS/VWP/EN October 2015.800

VWP - SHAFTED WASHER COMPACTOR

Technical Features	VWP 1	VWP 2	VWP 3
DISCHARGE HEIGHT A - mm	1,500	1,500	1,500
INLET HEIGHT B - mm	1,000	1,000	1,000
INLET HOPPER C x D - mm	400 x 600	450 x 600	600 x 800
TOTAL LENGTH E - mm	3,000	3,100	3,500
TAPERED COMPACTING PIPE G - DN	200 > 250	250 > 300	300 > 350
DRAINED WATER DISCHARGE H - inch	2 1/2"	3"	3"
WASH WATER CONNECTION I - inch	1/2"	1/2"	1/2"
WASH WATER PRESSURE - bar	4 - 8	4 - 8	4 - 8
SCREW COMPACTOR DIAMETER L - mm	185	240	290
INSTALLED POWER - kW	3	3	5,5
MOTOR PROTECTION	IP 55	IP 55	IP 55
CAPACITY - m <sup>3</sup> /h	2	3,5	6



Available from:  
**FILQUIP Pty Limited**

5/126 Compton Rd, Underwood,  
Qld 4119 Australia

Ph: +61 7 3208 3499 Fx: +61 7 3208 3449

Email: sales@filquip.com.au

www.filquip.com.au