

Available from:
FILQUIP Pty Limited

5/126 Compton Rd, Underwood,
 Qld 4119 Australia
 Ph: +61 7 3208 3499 Fx: +61 7 3208 3449
 Email: sales@filquip.com.au
 www.filquip.com.au

Batch-Type Single Shaft Mixers

WBH




- Foods
- Plastics
- Minerals
- Cosmetics
- Chemicals
- Metallurgy
- Animal Feed
- Organic Materials
- Pharmaceuticals
- Building Materials
- Environmental Technology

HIGH QUALITY MIXING ACKNOWLEDGED THOUSANDS OF TIMES

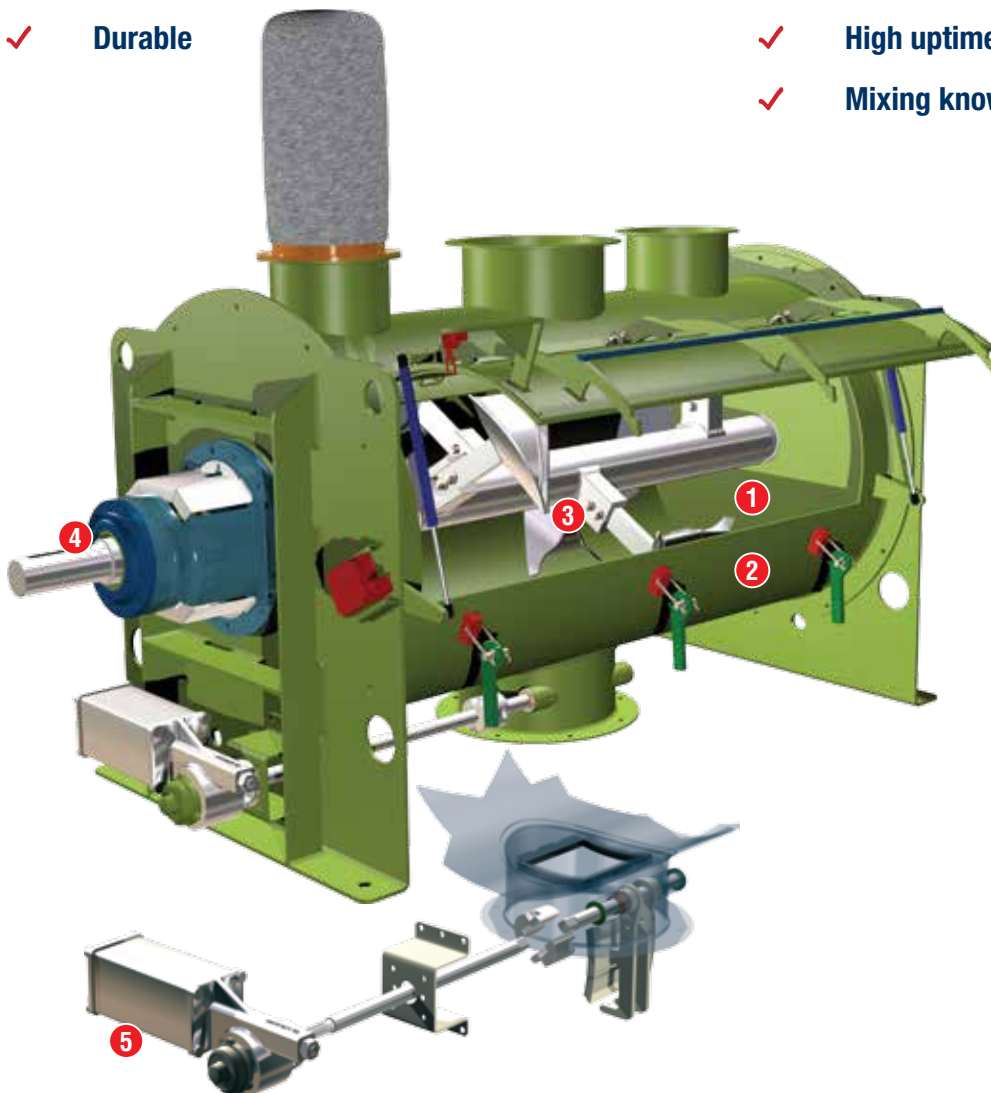
The WBH Batch-Type Single Shaft Mixer is the ideal machine to obtain highest quality mixtures in perfectly reproducible batches. In the last three decades MAP® has supplied thousands of mixers to a large variety of industries. Mixing tests for customers are performed in the Group's own laboratories worldwide.

Technical Features

- Capacity: 10 to 17,500 litres per batch
- Mixing ratio: 1/100,000
- Variation coefficient (CV): 3 ~ 5%
- Optional liquid addition
- ATEX compliance 

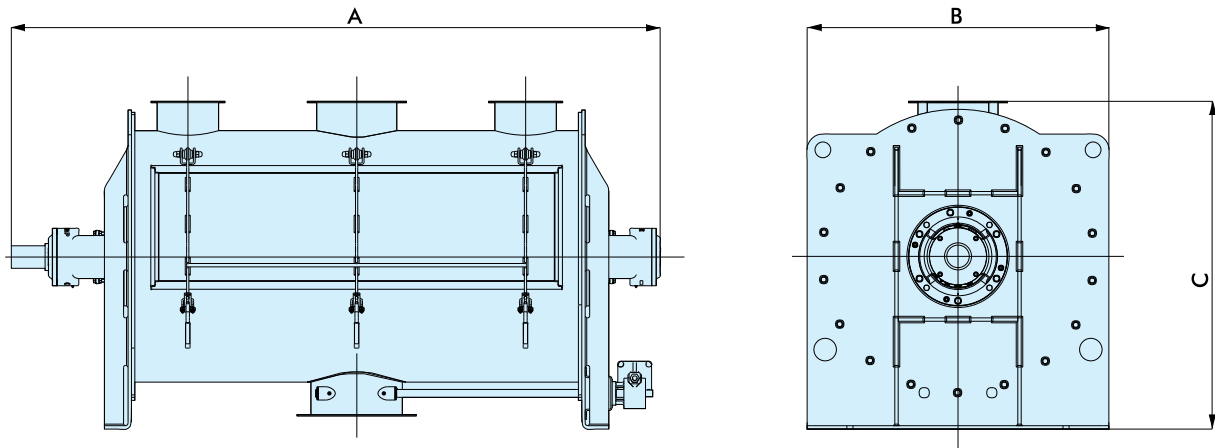
Benefits

- ✓ Short mixing time
- ✓ Excellent reproducibility of batches
- ✓ Easy access
- ✓ Durable
- ✓ Maximum mixing homogeneity
- ✓ No product damage
- ✓ Low maintenance
- ✓ High uptime
- ✓ Mixing know-how and test facilities



- 1 Large inspection door enabling comfortable access to the interior of the mixer
- 2 Heavy-duty mixing chamber manufactured in carbon steel, anti-wear steel or 304L / 316L stainless steel
- 3 Adjustable, replaceable mixing tools
- 4 End bearing assemblies in various shaft seal configurations (air or nitrogen-purged)
- 5 Flush discharge valve

Overall Dimensions



	A	B	C	Working Capacity (l)	Empty Weight (kg)
WBHV 75	1,300	610	650	21 - 55	240
WBHV 150	1,460	670	750	40 - 105	350
WBHV 300	1,840	770	890	85 - 210	550
WBHV 550	2,150	930	1,080	155 - 385	840
WBHV 800	2,350	980	1,150	215 - 560	1,080
WBHV 1100	2,690	1,100	1,280	315 - 770	1,400
WBHV 1600	2,690	1,100	1,280	485 - 1,150	1,400
WBHV 2000	2,920	1,340	1,460	551 - 1,400	2,100
WBHV 3000	3,920	1,340	1,460	825 - 2,100	2,800
WBHV 4800	4,520	1,500	1,750	1,340 - 3,360	4,300
WBHV 6000	4,820	1,600	1,860	1,650 - 4,150	4,800
WBHV 8800	5,390	1,810	2,130	2,450 - 6,150	5,800
WBHV 10500	5,630	1,910	2,160	2,950 - 7,350	6,900
WBHV 15000	6,120	2,110	2,450	4,100 - 10,500	8,200
WBHV 20000	6,610	2,310	2,670	6,000 - 14,000	11,900
WBHV 25000	6,880	2,430	2,740	7,500 - 17,500	13,650

Dimensions in mm

Options



Choppers, liquid injectors, temperature jacket



Chamber liner and tools in special anti-wear material

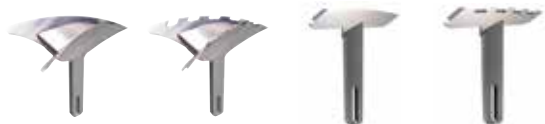


Large inspection door for easy-to-clean interior



304L / 316L stainless steel internal polishing

Mixing Tools



Standard Toothed Edge Blade-Type Toothed Blade

Anti-Wear Coating as an option for all mixing tools

Choppers

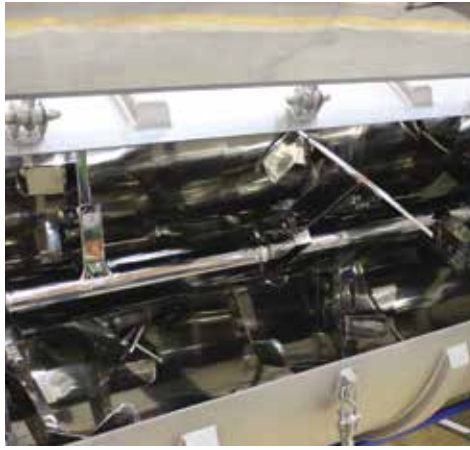


Tulip-Shaped



Blade-Type

Application



Available from:
FILQUIP Pty Limited

5/126 Compton Rd
 Underwood Qld 4119
 Australia

Phone: +61 7 3208 3499

Fax: +61 7 3208 3449

Email: sales@filquip.com.au

www.filquip.com.au



202001193 March 2016 Rights reserved to modify technical specifications.



www.wamgroup.com