

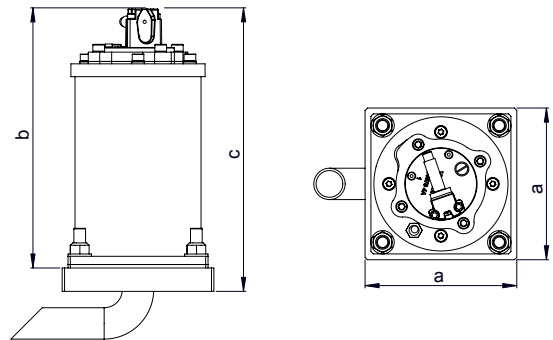


# PG - Air blasts



FEATURES				
Type	Air consumption		i Ø Pipe	Air Inlet
	NL		mm	BSP
	3 bar	6bar		
PG 40	3,6	5,3	6	1/8" BSP
PG 63	6,4	11,6	8	1/4" BSP
PG 80	12,5	21	8	1/4" BSP

OVERALL DIMENSIONS			
Type	A	B	C
	mm	mm	mm
PG 40	130	220	243
PG 63	160	260	283
PG 80	200	308	336



## PG - AIR BLASTS

APPLICATION	Hopper and silo
POWDER	Large size, irregular shape, fibrous dust and flakes
PROBLEM SOLVING	Bridge and rat-holing

## FEATURES

DUTY CYCLE	Discontinuous
WORKING PRESSURE	From 3 bar to 6 bar (from 43 psi to 87 psi)
PNEUMATIC CIRCUIT	Filter + flow control valve
AIR SUPPLY QUALITY	Class 5.4.1.
WORKING TEMPERATURE	From -20°C to 80°C (from -4°F to 176°F)
MAX NOISE LEVEL	105 dB (a)
TECHNOLOGY	High pressure jet
MATERIAL	Steel body and plate, PS040-063 nylon (PS080 aluminium) head

## OPTIONS

TIMER	Adjustable from 30sec to 45min
MULTI-TENSION COILS	From 24v (Ac/Dc) to 230v
FULLY PNEUMATIC KIT	Available

**Available from:**  
**FILQUIP Pty Limited**

5/126 Compton Rd, Underwood,  
 Qld 4119 Australia  
 Ph: +61 7 3208 3499 Fx: +61 7 3208 3449  
 Email: sales@filquip.com.au  
 www.filquip.com.au

