

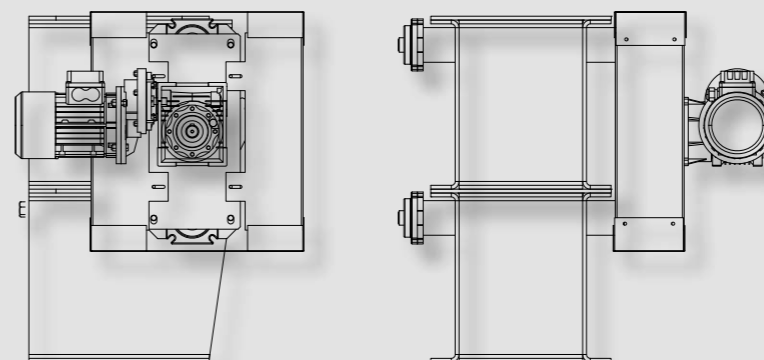
Available from:
FILQUIP PTY LIMITED

24 Smallwood Street
Underwood, Qld 4119, Australia
Ph: +61 7 3208 3499 sales@filquip.com.au
www.filquip.com.au

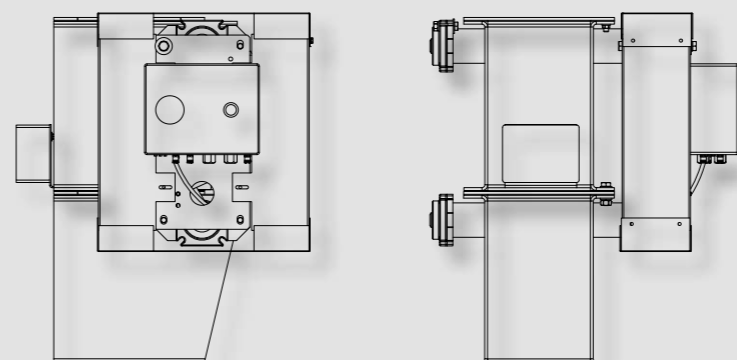
DOUBLE DUMP VALVE



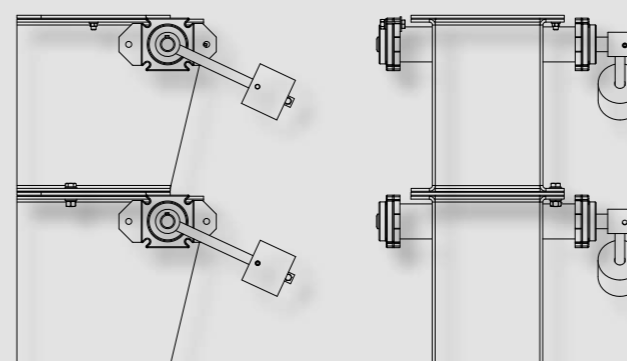
VDC DOUBLE DUMP VALVE - MOTORISED VERSION



VDC DOUBLE DUMP VALVE - PNEUMATIC VERSION



VDC DOUBLE DUMP VALVE - COUNTERWEIGHT VERSION



SECTORS OF APPLICATION



CONSTRUCTION



FOOD &
ANIMAL FEED



PLASTICS &
CHEMICALS



HEAVY
INDUSTRY



RENEWABLE
ENERGY



PLANTS
& MACHINERY

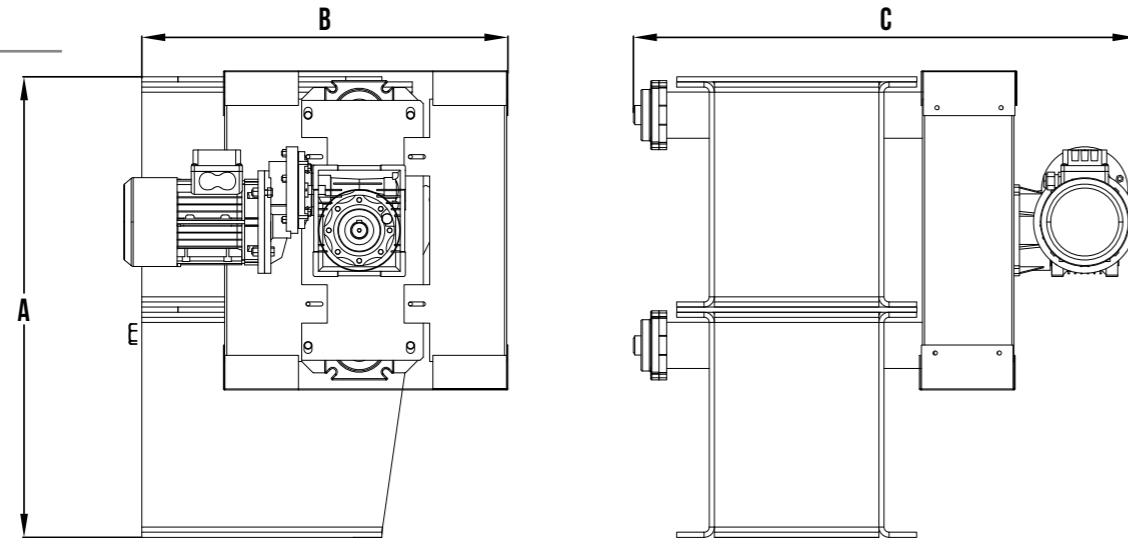


ENVIRONMENTAL
TECHNOLOGIES

VDC DOUBLE DUMP VALVE

The **VDC** double dump valve is ideal for controlling the unloading of powdered or granular materials, particularly suitable for heavy applications. Designed to work with high temperatures and highly abrasive materials. The VDC double dump valve consists of a body and two alternately activated flaps, installed one above the other to preserve the pressure difference below and above the valve.

VDC

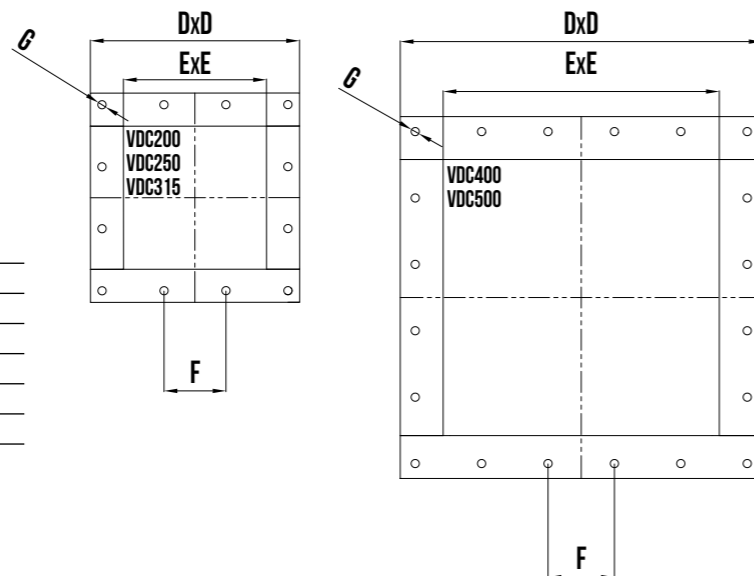


VDC DOUBLE DUMP VALVE (dimensions in mm)

Type	A	B	C
VDC 200	720	600	734
VDC 250	720	600	785
VDC 315	920	665	857
VDC 400	1074	763	1018
VDC 500	1074	825	1116

VDC FLANGING DIMENSIONS (dimensions in mm)

Type	D	E	F	G
VDC 200	315	200	93,3	12,5
VDC 250	423	250	110	12,5
VDC 315	470	315	128,3	12,5
VDC 400	545	400	100	15
VDC 500	655	500	120	15



TECHNICAL DATA

- Body available in: Carbon steel or AISI 304 or AISI 316;
- Hopper and clapper available in: Carbon steel, AISI 304, AISI 316 or HARDOX 400;
- Working temperatures: from -20°C to +500°C;
- Side opening for easy access for maintenance operations;
- Flap movement: counterweight, motorised or pneumatically actuated.

ACCESSORIES



Rotation indicator

CONTROL SYSTEM



MOTORISED VALVE: the flaps are activated by gearmotor and retracted by a spring.



PNEUMATICALLY ACTUATED VALVE: the flaps are opened and closed by means of pneumatic cylinders.

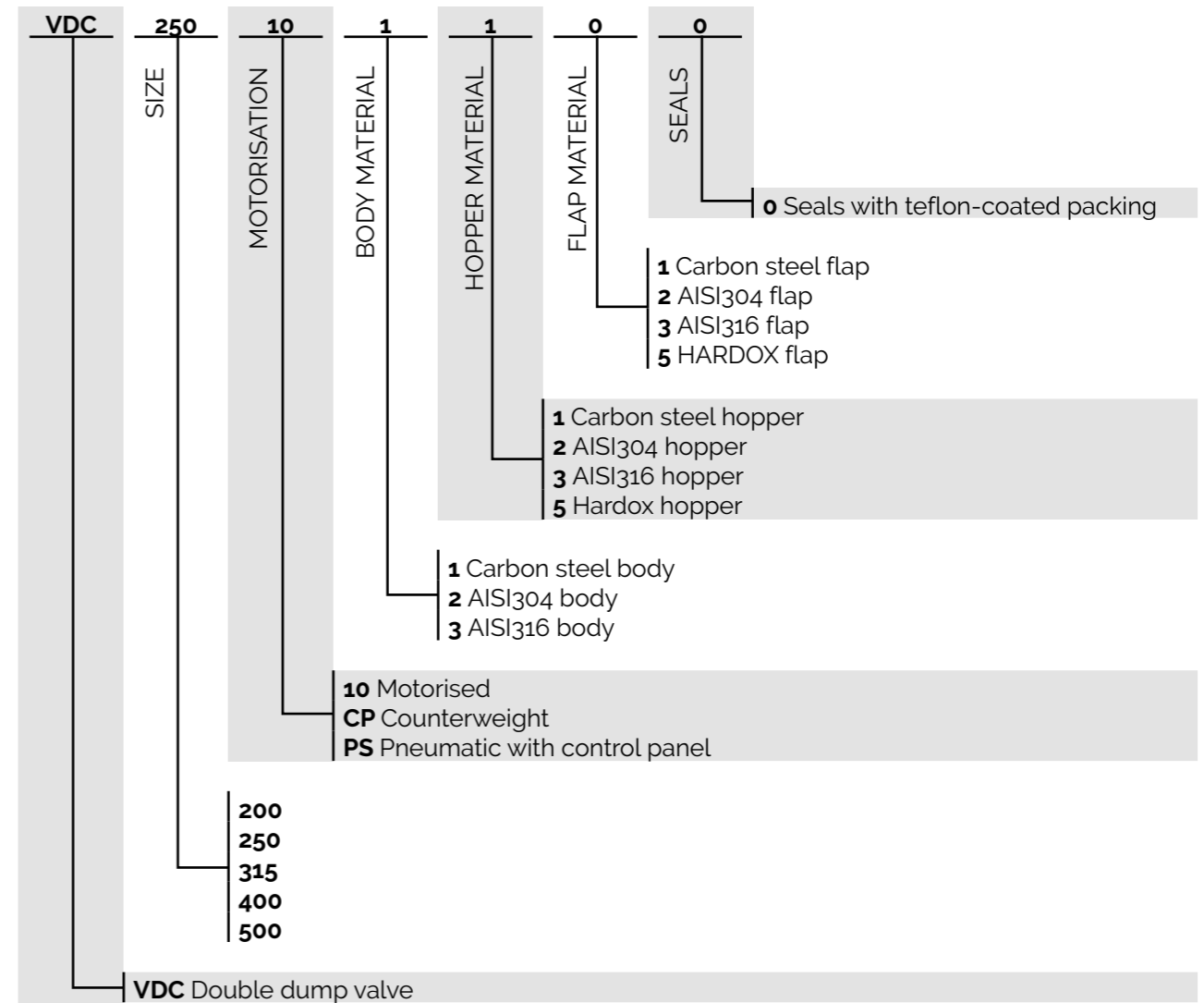


COUNTERWEIGHT VALVE: in this case, the activation of the flaps depends on the weight of the material.



VDC DOUBLE DUMP VALVE

CONFIGURATION



VDC DOUBLE DUMP VALVE



Available from:
FILQUIP PTY LIMITED
 24 Smallwood Street
 Underwood, Qld 4119, Australia
 Ph: +61 7 3208 3499 sales@filquip.com.au
 www.filquip.com.au